



LED 3032 (3.5 A/20 AWG)

	K	W	T_A			
833.77.200	2700-5000 K	13 W/m	-20 °C – +45 °C -4 °F – +113 °F	5000 x 10 x 1.3	≥ 20 x 11.3	Loox 24 V



X	Part Number
50	833.77.809
500	833.77.810
1000	833.77.811
2000	833.77.812

7.32.28.219

100 - 240 V~

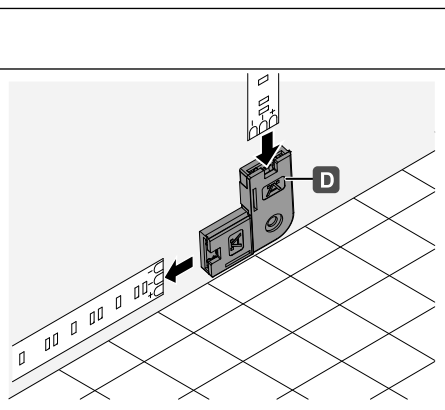
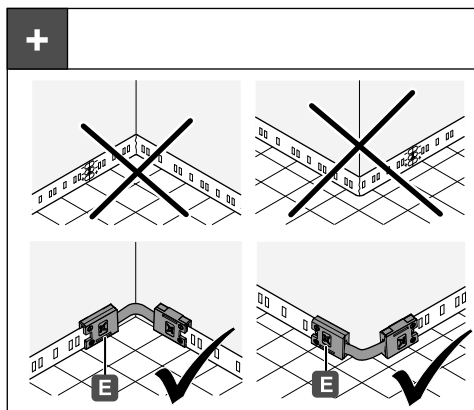
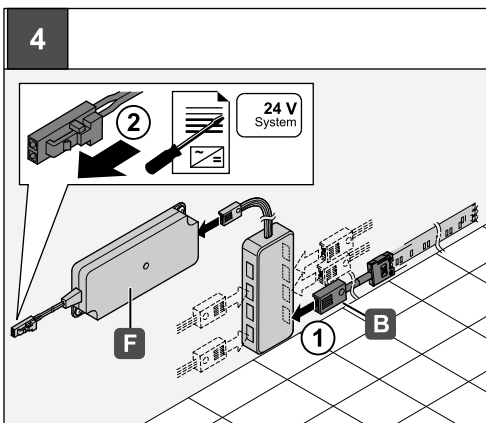
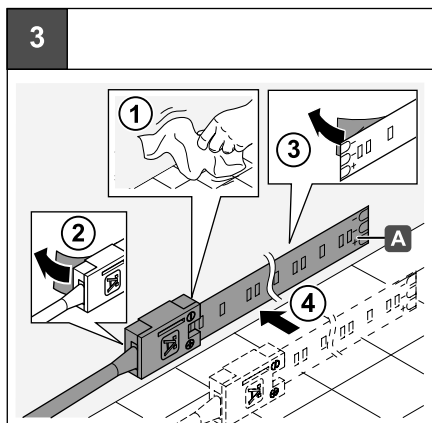
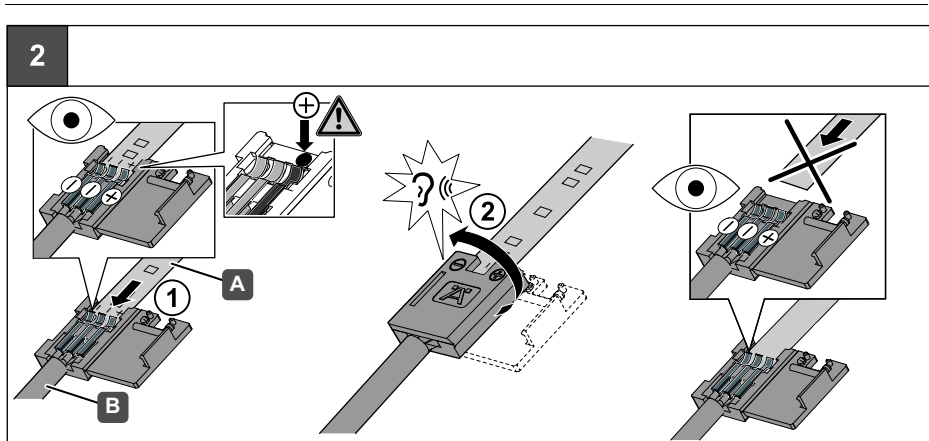
24 V / 20 W		
	x _n [m]	X [m]
LED 3032	1.357	1.357

24 V / 40 W		
	x _n [m]	X [m]
LED 3032	2.785	2.785

24 V / 90 W		
	x _n [m]	X [m]
LED 3032	3.927	3.927

X₁ + X₂ + ... X_n ≤ X

HDE 07/2017



732.26.219

HDE 07/2017